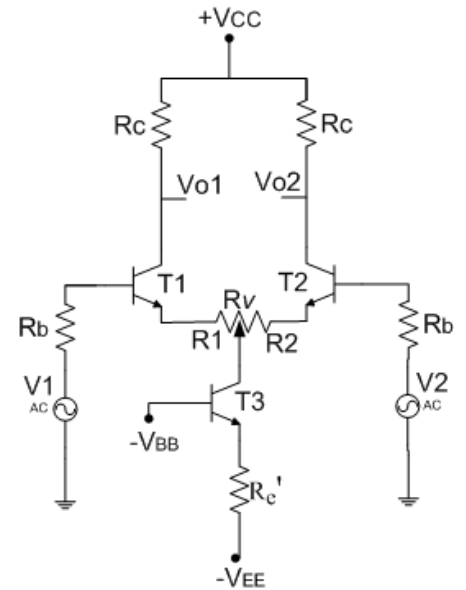


Q1: Difference amplifier has $V_{CC}=V_{EE}=8\text{v}$, $R_c=1\text{k}\Omega$, $R_b=10\text{k}\Omega$, $R_{e'}=1\text{k}\Omega$, $V_{BB}=5\text{v}$, $R_v=100\Omega$. If $h_{fe1}=h_{fe2}=100$, $R_1=R_2=50\Omega$.

- Find the maximum allowable difference mode voltage V_{dmax} .
- Find A_d , A_a and CMRR.



Q2: Find R.

